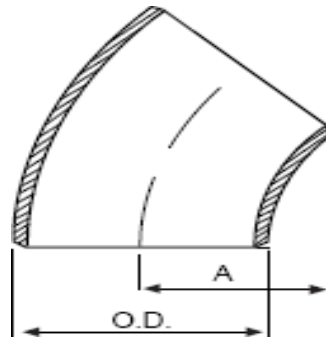


CONEXIÓN DE ACERO AL CARBON ASTM A234 WPB



CODO 45° RADIO LARGO

DN pulg.	DIAMETRO	CENTRO A	ESPESOR DE PARED	
	EXTERIOR A BISEL (O.D)	EXTREMO A	SCH 40	SCH 80
	(mm)	(mm)	(mm)	(mm)
1/2	21.3	15.9	2.77	3.73
3/4	26.7	11.0	2.87	3.91
1	33.4	22.2	3.38	4.55
1 1/4	42.2	25.4	3.56	4.85
1 1/2	48.3	28.6	3.68	5.08
2	60.3	34.9	3.91	5.54
2 1/2	73.0	44.4	5.16	7.01
3	88.9	50.8	5.49	7.62
4	114.3	63.5	6.02	8.56
5	141.3	79.5	6.55	9.53
6	168.3	95.2	7.11	10.97
8	219.1	127.0	8.18	12.70
10	273.0	158.7	9.27	15.10
12	323.9	190.5	10.30	17.50
14	355.6	222.2	11.10	19.10
16	406.4	254.0	12.70	21.40
18	457.2	285.8	14.30	23.80
20	508.0	317.5	15.10	26.20
24	609.6	381.0	17.50	31.00



PHONE: 866 6350600/6341284/6342619/6342620 WWW.PERFITUBOS.COM